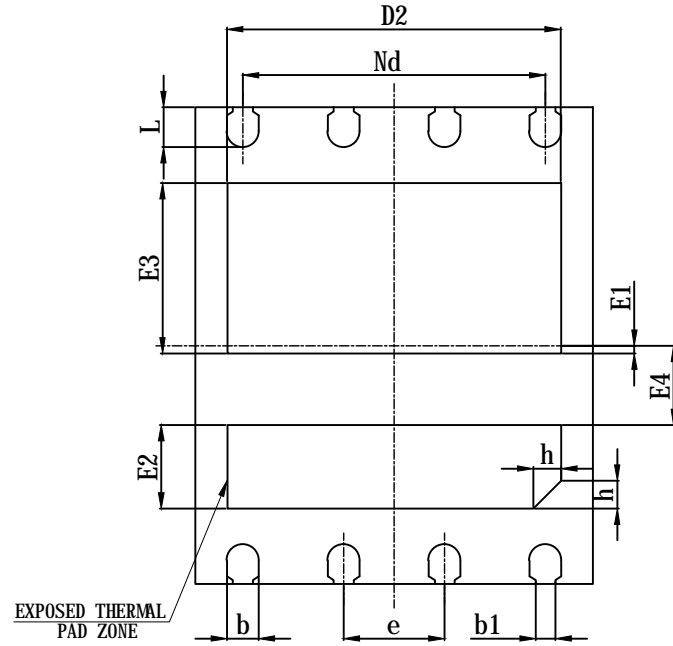
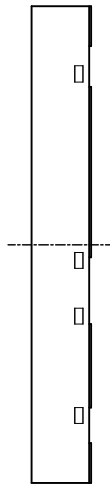
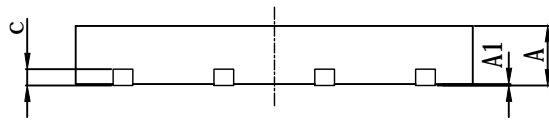


TOP VIEW



BOTTOM VIEW

SYMBOL	MILLIMETER		
	MIN	NOM	MAX
A	0.70	0.75	0.80
A1	0	0.02	0.05
b	0.35	0.40	0.45
b1	0.25REF		
c	0.15	0.20	0.25
D	4.90	5.00	5.10
Nd	3.81 BSC		
e	1.27 BSC		
E	5.90	6.00	6.10
D2	4.10	4.20	4.30
E1	0.05	0.10	0.15
E2	0.95	1.05	1.15
E3	2.10	2.15	2.20
E4	0.95	1.00	1.05
L	0.45	0.50	0.55
h	0.30	0.35	0.40
@#:	4.60x2.55/4.60x1.45		



SIDE VIEW

HuaTian Technology (Xi'an) CO., LTD			
DFN8L(0506X0.75-1.27)		. <HBUSS, S) S*SSS)	
	mm		
5(%%		