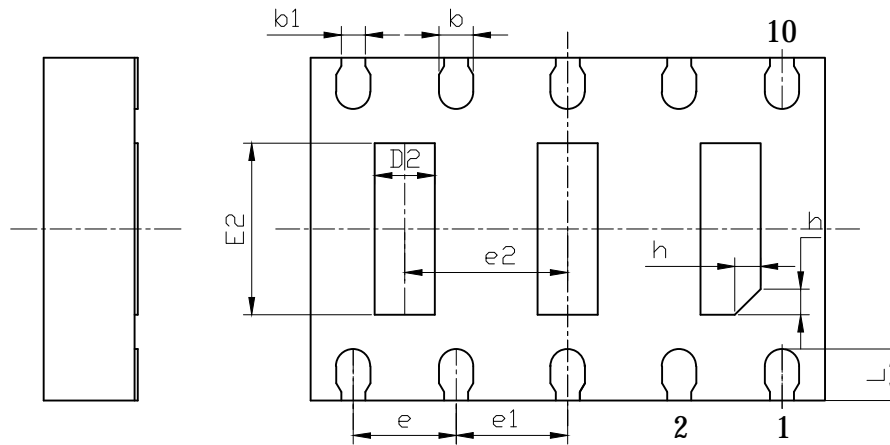
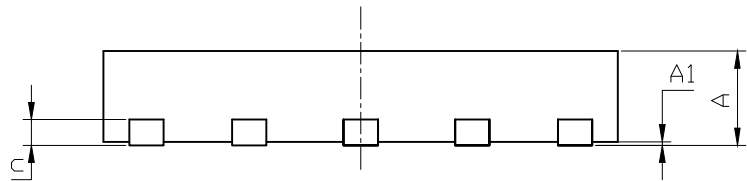


TOP VIEW


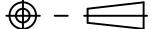


BOTTOM VIEW

| SYMBOL | MILLIMETER | | |
|--------|------------|------|------|
| | MIN | NOM | MAX |
| A | 0.50 | 0.55 | 0.60 |
| A1 | 0.00 | 0.02 | 0.05 |
| b | 0.15 | 0.20 | 0.25 |
| b1 | 0.14REF | | |
| c | 0.15REF | | |
| D | 2.90 | 3.00 | 3.10 |
| D2 | 0.30 | 0.35 | 0.40 |
| e | 0.60BSC | | |
| e1 | 0.65BSC | | |
| e2 | 0.95BSC | | |
| E | 1.90 | 2.00 | 2.10 |
| E2 | 0.95 | 1.00 | 1.05 |
| L | 0.25 | 0.30 | 0.35 |
| h | 0.10 | 0.15 | 0.20 |



SIDE VIEW

| | | | |
|--|--|-------------------------------------|--|
| | | | |
| | | | |
|  HuaTian Technology(Xi'an) CO., LTD | | | |
| DFN10L(0302X0.55-0.60) (A) | | . <HUS%SS' S&SSS% | |
| mm | | S | |
| % | | % | |
|  | | | |

| | | | | | |
|--|--|---|--|--|--|
| | | 5 | | | |
|--|--|---|--|--|--|