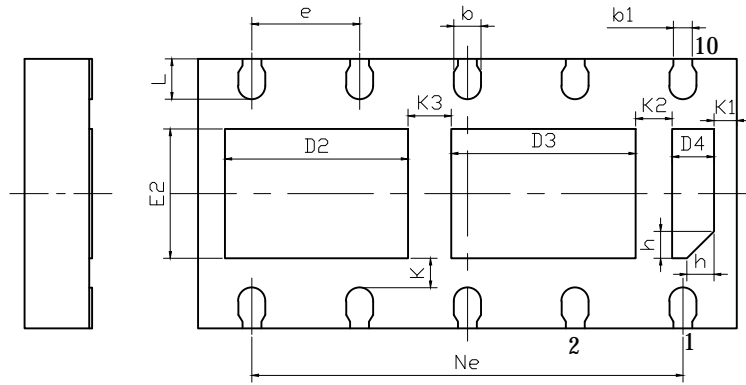
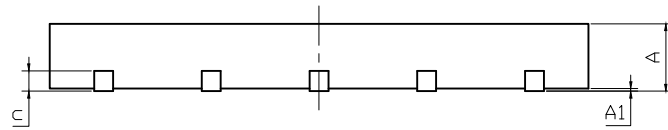


TOP VIEW



BOTTOM VIEW

SYMBOL	MILLIMETER		
	MIN	NOM	MAX
A	0.45	0.50	0.55
A1	0	0.02	0.05
b	0.15	0.20	0.25
b1	0.14REF		
c	0.152REF		
D	3.90	4.00	4.10
D2	1.26	1.36	1.46
D3	1.27	1.37	1.47
D4	0.21	0.31	0.41
e	0.80BSC		
Ne	3.20BSC		
E	1.90	2.00	2.10
E2	0.86	0.96	1.06
K	0.22REF		
K1	0.17REF		
K2	0.27REF		
K3	0.32REF		
L	0.25	0.30	0.35
h	0.15	0.20	0.25



SIDE VIEW

\*\*

.....		.....			
.....		.....			
.....		.....			
.....		.....			
.....	5(	.....	%%		
				HuaTi an Technology (Xi ' an) CO. , LTD	
				DFN10L(0402X0. 50-0. 80) (A)	
				. LFCa01004020002	
				<b>mm</b>	