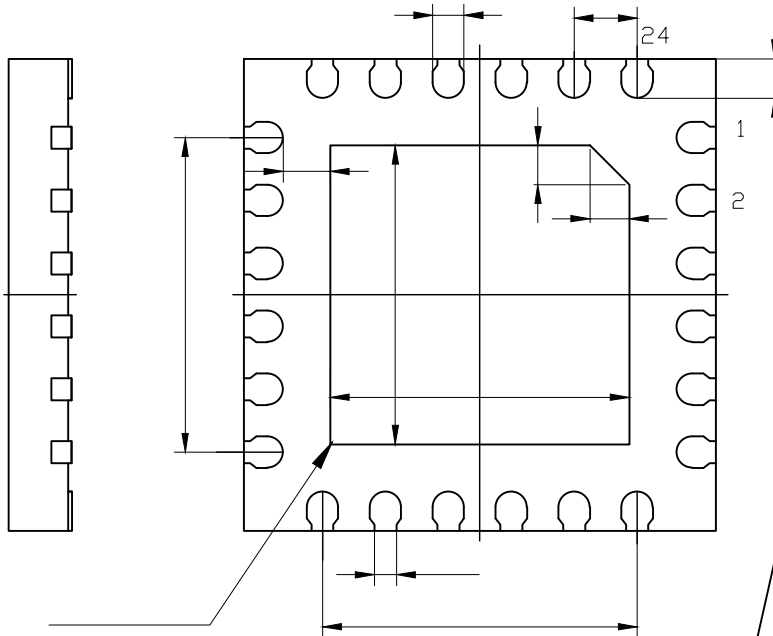
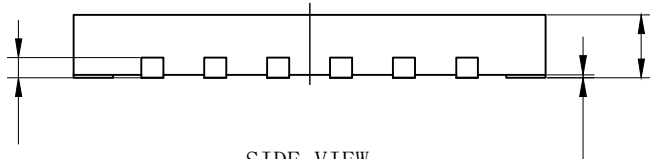


TOP VIEW



BOTTOM VIEW

SYMBOL	MILLIMETER		
	MIN	NOM	MAX
A		—	
A1	0	0.0	
b		0.20	
b1	0.14REF		
c	0.127REF		
D			
D			
e	BSC		
Ne	BSC		
Nd	BSC		
E			
E			



SIDE VIEW

