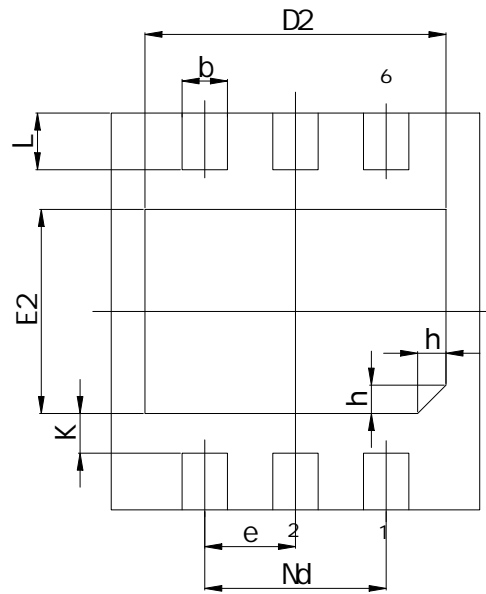
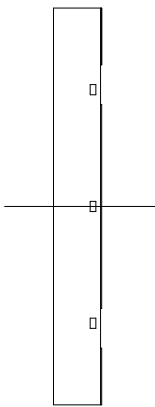
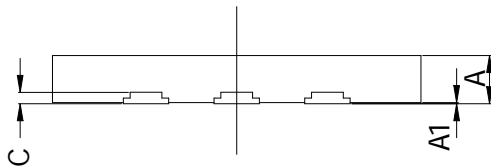


TOP VIEW



BOTTOM VIEW



SIDE VIEW

SYMBOL	MILLIMETER		
	MIN	NOM	MAX
A	0.80	0.85	0.90
A1	0	0.02	0.05
b	0.75	0.80	0.85
c	0.203REF		
D	6.40	6.50	6.60
D2	5.21	5.31	5.41
e	1.60BSC		
Nd	3.20BSC		
E	6.90	7.00	7.10
E2	3.50	3.60	3.70
L	0.95	1.00	1.05
h	0.45	0.50	0.55
K	0.70REF		

\*\*

		A4		

				2023.9.14
				2020.6.2
HuaTian Technology(Xi'an) CO., LTD				
DFN6L(6.57.0X0.85-1.60)(A)		: HFDa00606070001		
	nm	2		
	1		1	
	-			